

TRUMPF TOOLING



■ Ketec Precision Tooling Co., Ltd
Manufacturing CNC Punch Tooling



■ Ketec Precision Tooling Co., Ltd
Manufacturing Press Brake Tooling

KETEC CHINA SERVE THE WORLD

The biggest sheet metal tooling manufacturer in China

- National High Tech Enterprise
- Registered Capital: 50 Million RMB.
- Fix Assets: 150 Million RMB.
- Total factory area: 506,000 square feet (47,000 square meters).
- Annual Product Capacity: 1,200,000 sets for CNC punch press tooling; 20,000 sets for Press Brake Tooling.
- Over 300 high-quality employees in the company, KETEC have completed machining, EDM, heat treatment.
- National high-tech enterprise, features sheet metal technology R&D center.
- Obtains 18 national invention and new utility patent.
- Over 10,000 sheet metal enterprises in the world are using KETEC TOOLS
- 24 Direct sales in China and 18 KETEC Agents in the global countries.

- 1998 Sept. Founded Jiangnan Mold Tools Factory in Guangzhou.
Manufacturing stamping tooling.
- 2001 Aug. Established Ketec Precision Tooling Co.,Ltd.
Manufacturing CNC punch tooling and stamping tooling.
- 2004 Feb. Registered **KETEC**[®] trademark.
- 2004 Aug. ISO9000:2000 certified.
- 2004 Nov. Registered **KETEC**[®] as an international trademark.
- 2007 Dec. Registered enterprise value increasing to 5 Million RMB.
- 2008 Jan. Move to Mingzhu Industrial Park in Conghua Guangzhou with
approximately 323,000 square feet (30,000 square meters).
- 2008 Jan. Registered enterprise value increasing to 10 Million RMB.
- 2008 Mar. Awarded Guangdong Major Products certificate
for CNC punch tooling.
- 2008 Jun. Created guideline with permission from Standardization
Administration of People' s Republic of China for CNC Turret
Punch Tooling standard.
- 2010 Feb. Published JB/T 10928–2010, CNC Turret Punch Tooling standard
by China Ministry of Industry and Information.
Implemented in July 2010.
- 2010 Nov. ISO 9001:2008 Certified.
- 2011 Jun. Started selling TOP series thick turret tooling.
- 2011 Nov. Setup warehouse in Taicang Jiangsu.
- 2012 Mar. Registered enterprise value increasing to 50 Million RMB.
- 2012 Jul. Rated as National High Tech Enterprise.
Certification No: GR201244000059
- 2012 Aug. Second location completed in Industrial Nan Road
Conghua Guangzhou with approximately 183000 square feet
(17000 square meters). Manufacturing press brake tooling.
- 2012 Aug. Established KETEC Precision Tooling Inc. in USA.
- 2013 Oct. Setup warehouse in Tianjin.
- 2015 Oct. Honored the Integrity of Law–Abiding business model in Guangzhou.

CONTENTS

**MULTI
TOOLS**

P1-P3

**CARTRIDGE
&
ACCESSORIES**

P10

**MACHINE
GROUPS**

P22

**FULLY GUIDE
SIZE 5 TOOLING
FLAWLESS
WHEEL TOOLS**

P4-P5

**FORMING
TOOLS**

P11-P17

**RP-SERIES
QUICK SET
PU SLITTING
TOOLS**

P6-P7

**SHEET METAL
ACCESORIES**

P18-P19

**PUNCH
DIE
STRIPPER
HEAVY DUTY**

P8-P9

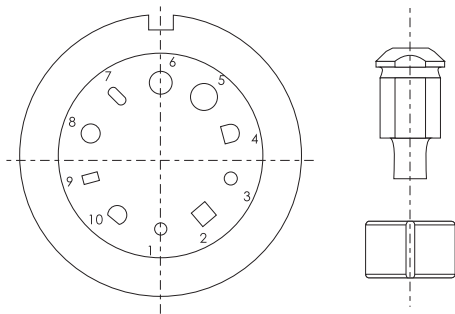
**SHAPE
CLASSES**

P20-P21



MULTI TOOL

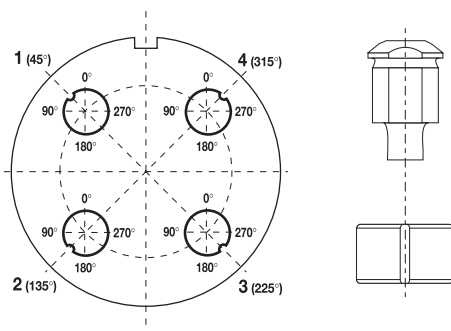
Multi-tool 10 STATION



- All punches and dies will be made at 90 deg. Position 1
- Punch Max. Dia: 10.5mm

Description	Code	Price
Punch Ass'y(w/o insert)	TM0.A1	
Basic Body	TM0.P5	
Toothed Wheel	TM0.P6	
Adjusting Key	P.DWZ-TKM	
Dowel Pin	TM0.P7	
Screw	P.M10*35A	
Dowel Pin	TM0.P8	
Screw	P.M3*8A	
Lubrication Vale	P.YB-TKM	
Punch Shank	TM0.P9	
Die ass'y(w/o die insert)	TM0.B1	
Die Holder	TM0.D9	
Die Holder w/Brush	TM0.D8	
Brush insert	P.MS8	
Ball	P.GZ-TKM	
Screw	P.M6*8F	
Stripper	TM0.S1	
Pin	P.JX-TKS	
Punch Insert		
Round	TM0.P1RO.	
Standard shape	TM0.P1**.	
Special shape	TM0.P1**.	
Die		
Round	TM0.D1RO.	
Standard shape	TM0.D1**.	
Special shape	TM0.D1**.	

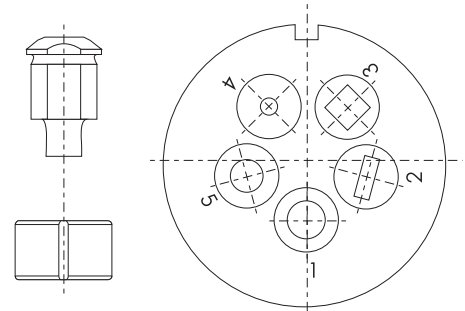
Multi-tool 4 STATION



Description	Code	Price
Punch Insert		
Round	TM4.P1RO.	
Standard shape	TM4.P1**.	
Special shape	TM4.P1**.	
Die		
Round	TM4.D1RO.	
Standard shape	TM4.D1**.	
Special shape	TM4.D1**.	

Multi-tool 5 STATION

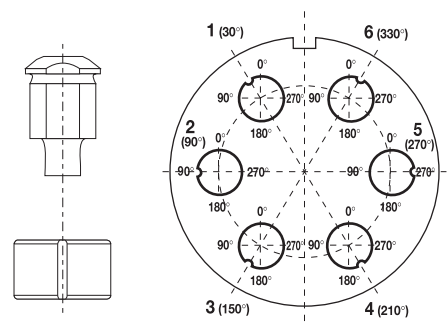
Description	Code	Price
Punch Ass'y(w/o insert)	TM5.A1	
Basic Body	TM5.P5	
Toothed Wheel	TM5.P6	
Adjusting Key	P.DWZ-TKM	
Dowel Pin	TM0.P7	
Screw	P.M10*35A	
Dowel Pin	TM0.P8	
Screw	P.M3*8A	
Lubrication Valve	P.YB-TKM	
Punch Shank	TM5.P9	
Die Ass'y(w/o die)	TM5.B1	
Die Holder	TM5.D9	
Ball	P.GZ-TKM	
Screw	P.M6*8F	
Stripper	TM5.S1	
Pin	P.JX-TKS	
Punch Insert		
Round	TM5.P1RO.	
Standard shape	TM5.P1**.	
Special shape	TM5.P1**.	
Die		
Round	TM5.D1RO.	
Standard shape	TM5.D1**.	
Special shape	TM5.D1**.	



- All punches and dies will be made at 90 deg. Position 1
- Punch Max. Dia:16mm

Multi-tool 6 STATION

Description	Code	Price
Punch Insert		
Round	TM6.P1RO.	
Standard shape	TM6.P1**.	
Special shape	TM6.P1**.	
Die		
Round	TM6.D1RO.	
Standard shape	TM6.D1**.	
Special shape	TM6.D1**.	



FULLY GUIDED CUTTING TOOL



1. Special cutting tool with fully guided and enhanced design, longer tool life
2. Max length 28mm [1.10"], Width 1.0–1.5mm [0.04"~0.06"]
3. Max thickness: M.S sheet 1.5mm [0.06"]
4. Heavy Duty die, coating punch available
5. Recommended only for thin sheet metal

SIZE 5 TOOLING



1. For Trumpf group I machine only
2. Max size for Louver: L100mm, W19mm, H6mm [L3.75", W0.75", H0.24"]
3. Max Thickness: Mild Steel 3.0mm [0.12"], Stainless Steel 2.0mm[0.08"]
4. Must setup with special size 5 cartridge
5. Size 5 tooling expand forming dimension to get longer and larger form
Typical solution for Louver / Card Guide / Lance& Form



FLAWLESS CUTTING TOOL

1. Perfect edge quality without nibbling marks
2. No need secondary operations of deburring
3. Punch size 5X76.2 mm [0.19 x 3.00"]
4. Sheet thickness: 0.5~3.0 mm [0.02"~0.12"]
5. Lower overall tooling costs with die blade

WHEEL TOOLS



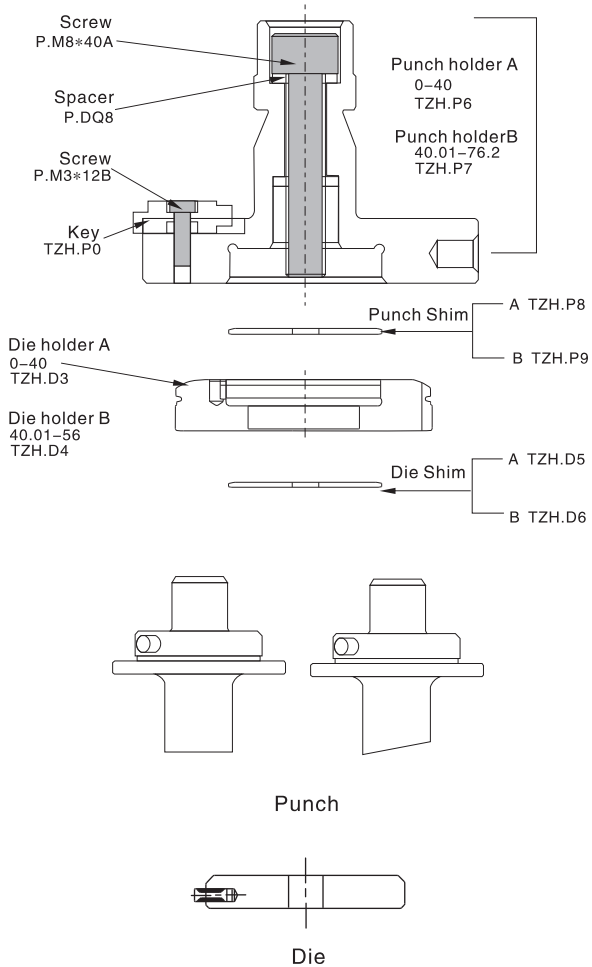
WHEEL RIB

1. High speed, equal to table travel speed
2. Replaceable wheels, no nibble marks
3. Works under special control program
4. Thickness: 0.8~2.0mm [0.03"~0.08"]
Height: 2~3T.
5. Width: 2H(4~6T). Max. Width: 12.7mm [0.5"]

WHEEL OFFSET

1. High speed, equal to table travel speed
2. Make any shape in auto index station
3. Replaceable wheels, no nibble marks
4. Works under special control program
5. Thickness:
 - Stainless Steel 0.8~1.5mm [0.03"~0.06"]
 - Mild Steel 0.8~2mm [0.03"~0.08"]
 - AL 0.8~2.5mm [0.03"~0.10"]

RP-SERIES



Description	Code	Price
Punch A1	0.77~30.00	
Round	TZH.P1RO.	
Standard shape	TZH.P1**.	
Special shape	TZH.P1**.	
Punch A2	30.01~40.00	
Round	TZH.P2RO.	
Standard shape	TZH.P2**.	
Special shape	TZH.P2**.	
Punch B1	40.01~56.00	
Round	TZH.P3RO.	
Standard shape	TZH.P3**.	
Special shape	TZH.P3**.	
Punch B2	56.01~66.00	
Round	TZH.P4RO.	
Standard shape	TZH.P4**.	
Special shape	TZH.P4**.	
Punch B3	66.01~76.20	
Round	TZH.P5RO.	
Standard shape	TZH.P5**.	
Special shape	TZH.P5**.	
Die A	(0.77~40)	
Round	TZH.D1RO.	
Standard shape	TZH.D1**.	
Special shape	TZH.D1**.	
Die B	(40.01~56)	
Round	TZH.D2RO.	
Standard shape	TZH.D2**.	
Special shape	TZH.D2**.	



QUICK-SET TOOL

Description	Code	Price
Punch Holder (w/ring)	TQD.P6	
Pin	TQD.P7	
Key	TQD.P8	
Punch Blade A	TQD.P1RE.5/30	
Punch Blade B	TQD.P2RE.5/30	
Punch Blade B	TQD.P2RE.5/56	
Punch Blade B	TQD.P2RE.5/76.2	



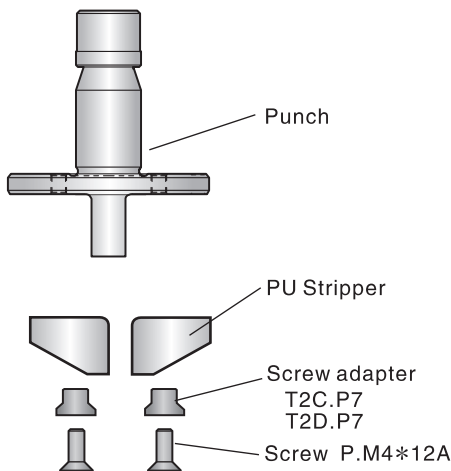
Description	Code	Price
Die Holder A	TQD.D6	
Die Holder A w/bush	TQD.D8	
Die Holder B	TQD.D7	
Die Holder B w/bush	TQD.D9	
Screw	P.M4*16A	
Bush	P.MS8	

Description	Code	Price
Solid Blade A	TQD.D1RE.5/30/**	
Slitting Blade A	TQD.D2RE.5/30/**	
Solid Blade A	TQD.D1RE.5/56/**	
Slitting Blade A	TQD.D2RE.5/56/**	
Solid Blade B	TQD.D3RE.5/76.2/**	
Slitting Blade B	TQD.D4RE.5/76.2/**	

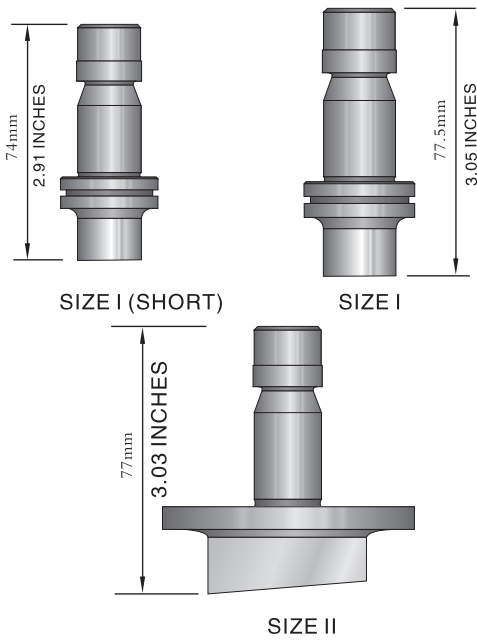
Note: Max. thickness 3.0mm [0.12"]; Grind life 1.0mm [0.04"]

PU SLOTTING TOOL

Description	Code	Price
PU Blade		
SIZE II -2C		
Punch Ass'y	T2C.P2RE.	
Punch	T2C.P9RE.	
PU Stripper	T2C.P8	
SIZE II -2D		
Punch Ass'y	T2D.P2RE.	
Punch	T2D.P9RE.	
PU Stripper	T2D.P8	

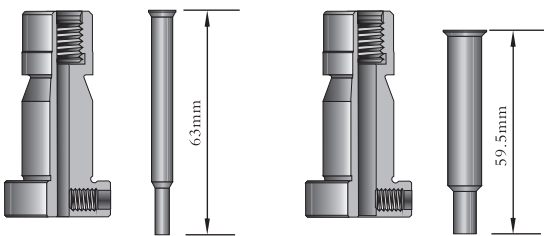


PUNCH (SIZE I / SIZE II)



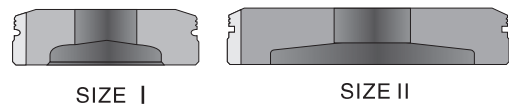
Description	Code	Price
SIZE I	10.0~30.0mm [0.39"~1.18"]	
Round (short)	T1X.P1SRO.	
Standard shape(short)	T1X.P1S**.	
Special shape(short)	T1X.P1S**.	
Round	T1X.P1RO.	
Standard shape	T1X.P1**.	
Special shape	T1X.P1**.	
SIZE II -2A	30.01~40.0mm [1.19"~1.57"]	
Round	T2A.P1RO.	
Standard shape	T2A.P1**.	
Special shape	T2A.P1**.	
SIZE II -2B	40.01~50.80mm [1.58"~2.00"]	
Round	T2B.P1RO.	
Standard shape	T2B.P1**.	
Special shape	T2B.P1**.	
SIZE II -2C	50.81~60.0mm [2.00"~2.36"]	
Round	T2C.P1RO.	
Standard shape	T2C.P1**.	
Special shape	T2C.P1**.	
SIZE II -2D	60.01~76.2mm [2.36"~3.00"]	
Round	T2D.P1RO.	
Standard shape	T2D.P1**.	
Special shape	T2D.P1**.	

PUNCH CHUNK (SIZE 0A / SIZE 0B)



Description	Code	Price
SIZE 0A	0.77~6.0mm [0.03"~0.24"]	
Punch Chunk	T0A.P9	
Punch Insert (short)	T0A.P1SRO.	
Punch Insert	T0A.P1RO.	
SIZE 0B	6.01~10.5mm [0.24"~0.41"]	
Punch Chunk	T0B.P9	
Round (short)	T0B.P1SRO.	
Shape (short)	T0B.P1S**.	
Round	T0B.P1RO.	
Shape	T0B.P1**.	

DIE



Description	Code	Price
SIZE I	~32.00mm [~1.26"]	
Round	T1X.D1RO.	
Standard shape	T1X.D1**.	
Special shape	T1X.D1**.	
SIZE II	32.01~76.20mm [1.26"~3.00"]	
Round	T2X.D1RO.	
Standard shape	T2X.D1**.	
Special shape	T2X.D1**.	

Description	Code	Price
SIZE I	10.0~30.0mm [0.39"~1.18"]	
Round	T1X.P2RO.	
Standard shape	T1X.P2**.	
Special shape	T1X.P2**.	
SIZE II	30.01~42.0mm [1.19"~1.65"]	
Round	T2X.P2RO.	
Standard shape	T2X.P2**.	
Special shape	T2X.P2**.	

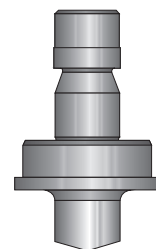
Description	Code	Price
SIZE I		
Round	T1X.D3RO.	
Standard shape	T1X.D3**.	
Special shape	T1X.D3**.	
SIZE II		
Round	T2X.D3RO.	
Standard shape	T2X.D3**.	
Special shape	T2X.D3**.	

Description	Code	Price
Round (Group H/1)	T1X.S1RO.	
Shape (Group H/1)	T1X.S1**.	
Round (Group E/F)	T1X.S2RO.	
Shape (Group E/F)	T1X.S2**.	
Pin	P.JX-TKS	

DIE SHIM	Code	Price
SIZE I		
0.1mm [0.004"]	P.DP-T1XD01	
0.3mm [0.01"]	P.DP-T1XD03	
0.5mm [0.02"]	P.DP-T1XD05	
9 PCS/ PACK	P.DP-T1XD	
SIZE II		
0.1mm [0.004"]	P.DP-T2XD01	
0.3mm [0.01"]	P.DP-T2XD03	
0.5mm [0.02"]	P.DP-T2XD05	
9 PCS/PACK	P.DP-T2XD	

NOTE: Package with 9 pcs in 3 pcs each thickness

HEAVY DUTY



Heavy Duty Punch



Heavy Duty Die

STRIPPER

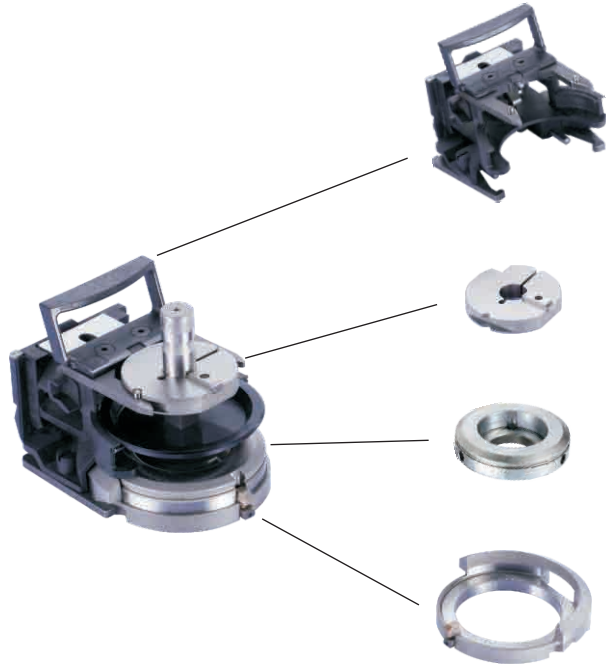


DIE SHIM

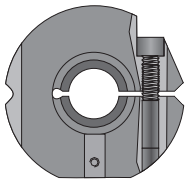


CARTRIDGE & ACCESSORIES

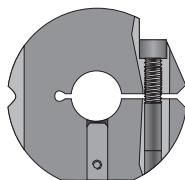
Description	Code	Price
Trumpf Cartridge	J.DJ-T1000	
Alignment Ring	T1X.T1/T2X.T1	
Adaptor	T1X.G1	
Trumpf Die Plate	J.MH-T1	
≥3 sets(C.D)	J.DJ-MH-T1	



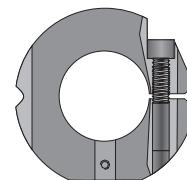
ALIGNMENT RING



Size I Alignment Ring
(E/F/G/H/1)



Size II Alignment Ring
(E/F/G/H/1)



Alignment Ring(HD)

Description	Code	Price
-------------	------	-------

Alignment Ring	T1X.T1	
Key	T1X.T9	
Screw	P.M6*35A	
Screw	P.M3*12B	

Description	Code	Price
-------------	------	-------

Alignment Ring	T2X.T1	
Key	T1X.T9	
Screw	P.M6*35A	
Screw	P.M3*12B	

Description	Code	Price
-------------	------	-------

Alignment Ring	T3X.T1	
Key	T3X.T9	
Screw	P.M6*25A	
Screw	P.M4*10A	

C RING



Trumpf Machine	Code	Price
2000、2020	J.CH-T	
1000	J.CH-T1000	
3000	J.CH-T3000	



■ FORMING TOOLS

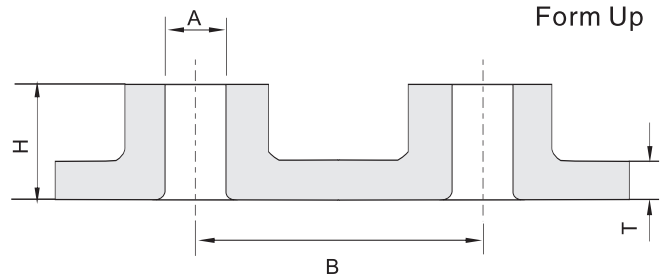
KETEC have extensive experience in the design and manufacture of the forming tools, we also have TRUMPF machine, thick turret CNC machine etc., for testing the tooling. We surely can provide the ideal tooling products to you.

Please consult KETEC engineers for questions when customizing the forming tools to your design.

EXTRUSION TAPPING

Prepunch size (Stainless steel) unit: mm [inch]

Extrusion		Thickness: T			
Size	∅A	0.6 [0.02]	0.8 [0.03]	1.0 [0.04]	1.2 [0.05]
M2.6	2.21 [0.09]	1.3 [0.05]	1.3 [0.05]	1.3 [0.05]	
M3	2.60 [0.10]	1.3 [0.05]	1.3 [0.05]	1.6 [0.06]	1.8 [0.07]
M4	3.40 [0.13]		2.0 [0.08]	2.0 [0.08]	2.0 [0.08]
M5	4.30 [0.17]			2.3 [0.09]	2.3 [0.09]
M6	5.10 [0.20]			3.0 [0.12]	3.0 [0.12]



Machine _____ A _____
 Material _____ B _____
 H _____ T _____

- Need prepunch
- Give tool enough time to strip
- Replaceable insert design on extrusion
- Form up & Form down
- Max. thickness

Mild steel 2.3mm [0.09"]

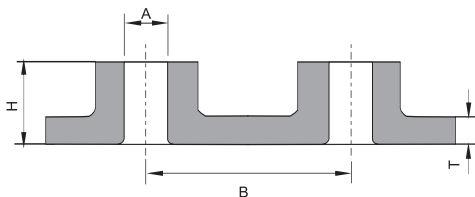
AL 2.0mm [0.08"]

Stainless steel 1.2mm [0.05"]

Prepunch size (Mild steel, Aluminum) unit: mm [inch]

Extrusion		Thickness: T			
Size	∅A	0.6 [0.02]	0.8 [0.03]	1.0 [0.04]	1.2 [0.05]
M2.6	2.21 [0.09]	1.3 [0.05]	1.3 [0.05]	1.3 [0.05]	
M3	2.60 [0.10]	1.3 [0.05]	1.3 [0.05]	1.6 [0.06]	1.8 [0.07]
M4	3.40 [0.13]		2.0 [0.08]	2.0 [0.08]	2.0 [0.08]
M5	4.30 [0.17]			2.3 [0.09]	2.3 [0.09]
M6	5.10 [0.20]			3.0 [0.12]	3.0 [0.12]

EXTRUSION



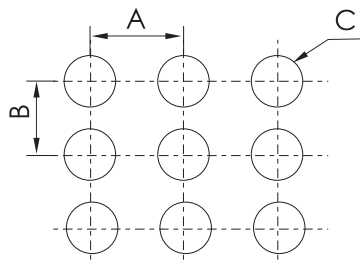
Machine _____ A _____
 Material _____ B _____
 H _____ T _____

1. Need prepunch
2. Form up & Form down
3. Max. thickness
4. Forming Height: $H \geq 2T$

M.S & AL 2.0mm [0.08"]

S.S 1.2mm [0.05"]

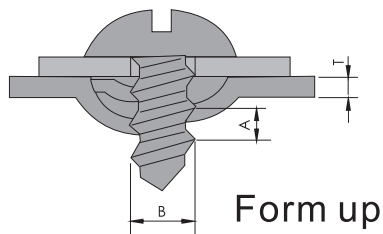




CLUSTER

Machine _____ A _____ C _____
 Material _____ B _____ T _____

- Space of holes must be over 3.2mm [0.125"] or 2 x T
- Size 2, code No. T.2X.DK



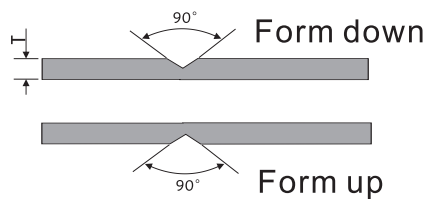
THREAD FORM

Machine _____ A _____ T _____
 Material _____ B _____

Form up



- Form up, Form down
- Thickness: 0.5mm~1.2mm [0.02"~0.05"]
- Size 2, code No. form up: T.2S.LW, form down: T.2X.LW

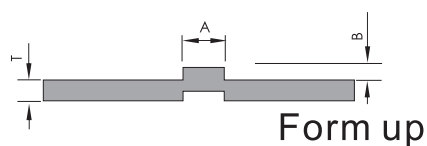


CENTER POINT

Machine _____ T _____
 Material _____



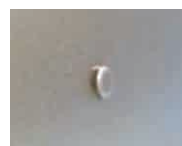
- Forbid punching without sheet
- Adjust the height of the tool to change the depth when punching
- Form up & Form down
- Angle: 90 degree, Max. thickness: 6.0mm [0.236"]



HALF SHEAR

Machine _____ A _____ T _____
 Material _____ B _____

- Form up & Form down
- Max. B size: 0.6 x T



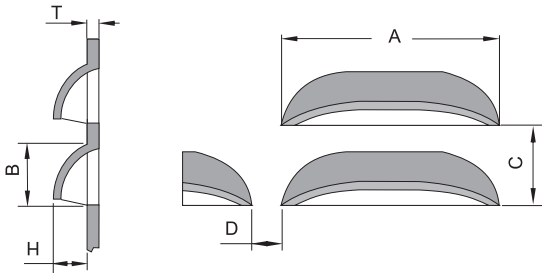
CLOSE LOUVER



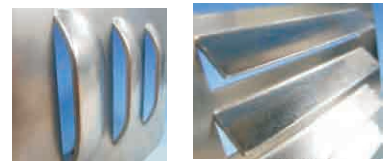
A _____ D _____

Machine _____ B _____ H _____

Material _____ C _____ T _____



1. Tooling is made for specific sheet metal thickness
2. Give tool enough time to strip
3. Adjust length without shim, replaceable insert
4. Form up only
5. Size 2, code No.: T.2S.BY

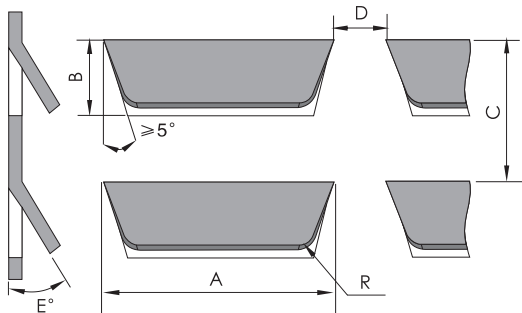


OPEN LOUVER

A _____ D _____

Machine _____ B _____ E _____

Material _____ C _____ T _____ R _____



1. Tooling is made for specific sheet metal thickness
2. Give tool enough time to strip
3. Consider the moving direction of the material when programming
4. Adjust length without shim, replaceable insert
5. Form up only

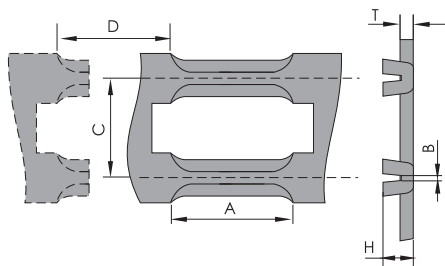
CARD GUIDE



A _____ D _____

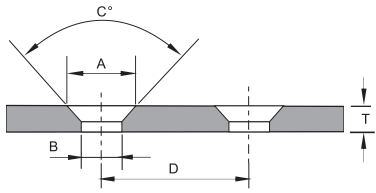
Machine _____ B _____ H _____

Material _____ C _____ T _____

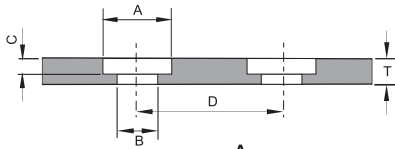


- Tooling is made for specific thickness
 - Adjust length without shim, replaceable insert
- Forming Height $\leq 2 T$, or will be deformation easily

COUNTERSINK



Machine _____ A _____
 Material _____ B _____ D _____
 C _____ T _____

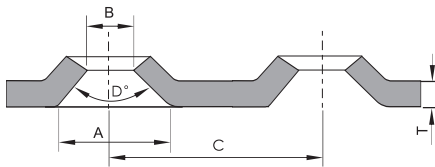


Machine _____ A _____
 Material _____ B _____ D _____
 C _____ T _____



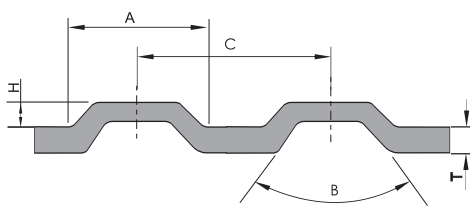
- Need prepunch
- Adjust prepunch size to get different depth
- Form up & Form down
- Min. thickness: $T \geq 1.0\text{mm}$ [0.04"]

EMBOSS COUNTERSINK



Machine _____ A _____
 Material _____ B _____ D _____
 C _____ T _____

- Suggest using prepunch
- Form up only



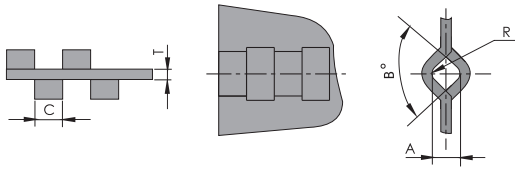
Machine _____ A: _____ H: _____
 Material _____ B: _____ T: _____
 C: _____

- Escape clamp or punching hole
- Can form in Round or Shape
- Form up & Form down



EMBOSS

THREAD LOOP



Machine _____
 Material _____

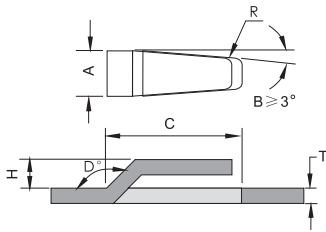
A _____
 B _____
 C _____

R _____
 T _____



- Angle B = 90°
- Please fill in the left form

LANCE & FORM



Machine _____
 Material _____

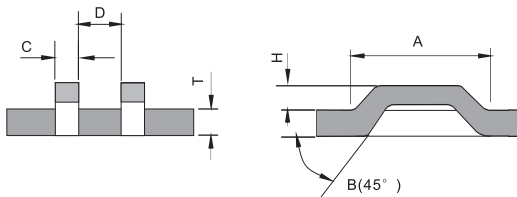
A _____
 B _____
 C _____
 D _____

R _____
 H _____
 T _____



- Tooling is made for specific thickness, can not use thicker material, otherwise the tool will be damaged.
- Please fill in the left form

BRIDGE



Machine _____
 Material _____

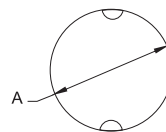
A _____
 B _____
 C _____

D _____
 H _____
 T _____



- Can be designed in single or double bridge
- Form up & Form down
- Width of the Bridge $C \geq 2T$ and $C \geq 1.8\text{mm}$ [0.07"]

KNOCKOUT



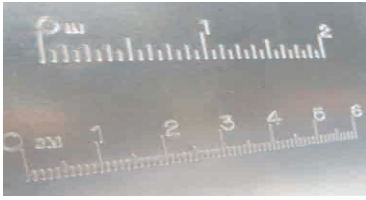
Machine _____
 Material _____

A _____
 T _____



- For small thickness range only
- Changeable insert for another size, save cost

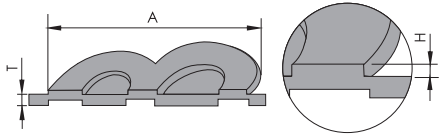
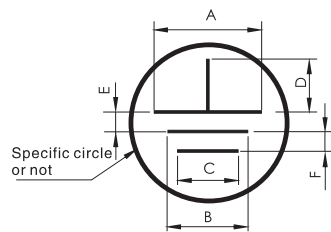
MULTI-SCRIBE



- Forbid punching without sheet
- Required special control program for the machine
- Form down only



STAMPING



Machine _____ A _____ D _____
 Material _____ B _____ E _____ G_(width) _____
 C _____ F _____ H_(depth) _____

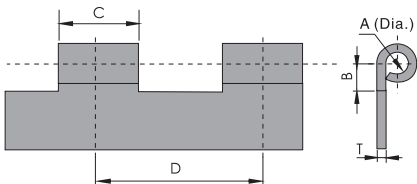
Machine _____ A _____ T _____
 Material _____ H _____

- Form up & Form down
- Please fill in the above form

1. Forbid punching without sheet
2. Adjust the height of the tool to change the depth when punching
3. Form up or Form down
4. Please fill in the above form



HINGE



Machine _____ A _____ D _____
 Material _____ B _____ T _____
 C _____

1. Tooling is made for specific sheet metal thickness
2. Need prepunch
3. First for curling, second for forming
4. Form up only
5. Thickness: $T \leq 2.0\text{mm}$ [0.08"] (Mild steel)
 $T \leq 1.5\text{mm}$ [0.06"] (Stainless steel)
6. Please fill in the left form

Trumpf Tools Trolley

Code: J.MJC-TK
Standard configuration

1 Trolley, 3 Shelves, 12 Shelf supports
Full loads 32 sets Trumpf tools



Shelf
J.MJC-TKMK
Each shelf
loads 8 sets Trumpf tools



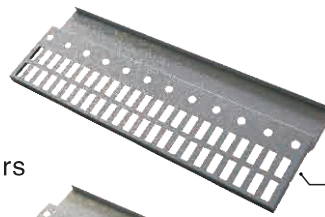
Trolley
J.MJC-CJ
Shelf support
J.MJC-ZJ

Trumpf Tools Cabinet

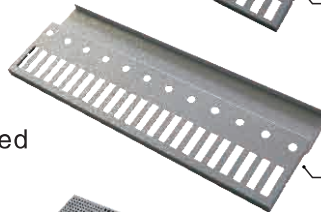
Code: J.MJG-TK
Standard configuration

Accommodates 1 Trumpf Tools Cabinet, 5 Layers
(Standard: 2SizeI+2SizeII+1Multi-tool)
*Layers are choosable.

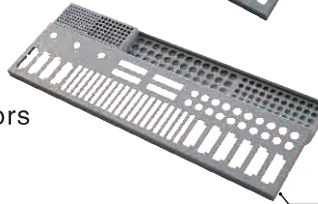
5 Layers (2I+2II+1MULTI-TOOL) accommodated
Size I 16 sets PDS, 24 punches, 92 dies
Size II 16 sets PDS, 24 punches, 46 dies
Several punches of MT 5, 10 STN, Size 0A, 0B
Features several Cartridges, Die plates, Adaptors



Size I Layer
J.MJG-TKCB1
Capacity:
12 punches+46 dies+8 sets PDS



Size II Layer
J.MJG-TKCB2
Capacity:
12 punches+23 dies+8 sets PDS



Multi-Tool Layer
J.MJG-TKCB3
Capacity:
MT 5 STN, MT 10 STN, Size 0A, 0B



Trumpf tools cabinet
J.MJG-TKGT



DEMAGNETIZER

Code	Price
J.DZ-1	

Technical data:

- 1.Rated voltage: 220V \pm 10% 50HZ
- 2.Rated current: 3.3A single phase
- 3.Electrical energy: 1Kw Weight: 6Kg
- 4.Size (mm):300X158X230



Auto Tool Grinding Machine Model: AG-135

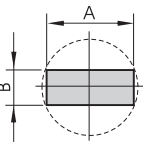
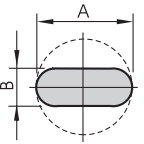
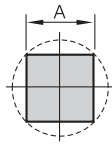
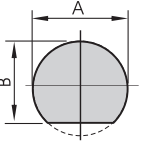
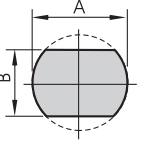
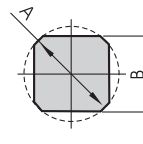
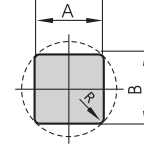
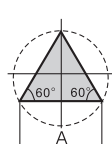
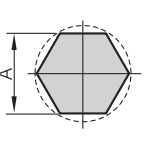
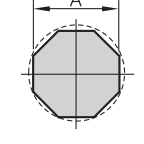
- Automatic sharpening CNC punch press tools.
- Tool grinding system programs autonomously.
- Precision grinding: \pm 0.005mm.

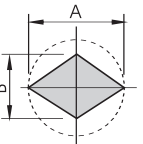
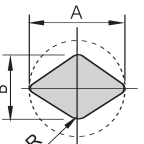
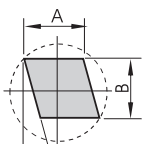
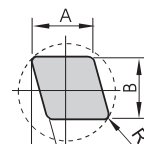
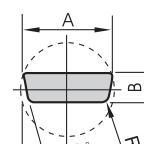
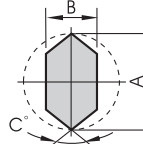
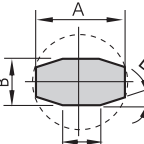
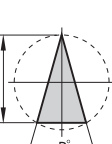
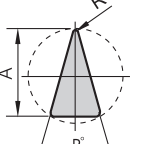
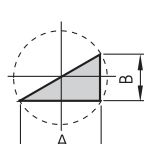


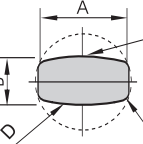
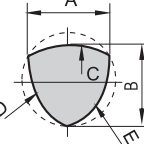
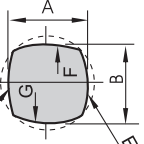
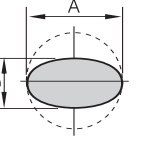
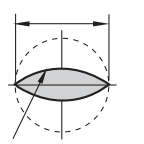
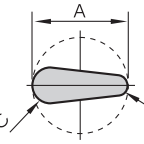
Basic Parameters

Overall size	L x W x H	Unit: mm	900 x 800 x 1920
Weight		Unit: kg	1100
Voltage	380V AC	Unit: V	3-phase / 5-line
Max. power		Unit: KW	1.75

SHAPE CLASSES

STANDARD SHAPE					
	Code: RE Name: Rectangle Size: B/A	Code: OB Name: Oblong Size: B/A	Code: SQ Name: Square Size: A	Code: SD Name: Single D Size: B/A	Code: DD Name: Double D Size: B/A
					
	Code: QD Name: Quad D Size: B/A	Code: QR Name: Quad R Size: B/A/R	Code: ET Name: Equilateral Triangle Size: A	Code: HX Name: Hexagon Size: A	Code: OT Name: Octagon Size: A

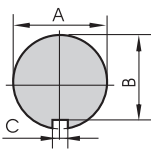
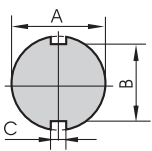
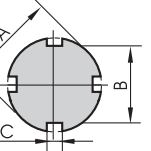
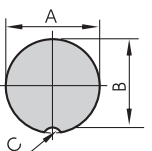
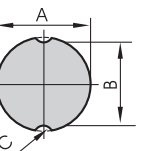
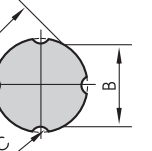
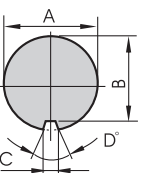
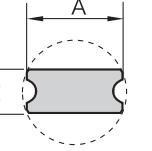
GROUP A					
	Code: A0 Name: Diamond Size: B/A	Code: A1 Name: Diamond Size: B/A/R	Code: A2 Name: Diamond Size: B/A/C	Code: A3 Name: Diamond Size: B/A/C/R	Code: A4 Name: Cable Connector Size: B/A/C/R
					
	Code: A5 Name: Six Edges Size: B/A/C	Code: A6 Name: Eight Edges Size: C/B/A/D	Code: A7 Name: Triangle Size: B/A	Code: A8 Name: Triangle w/R Size: A/B/R	Code: A9 Name: Right Triangle Size: B/A

GROUP B						
	Code: B0 Name: Double R Size: B/A/C/D/R	Code: B1 Name: Tri-R Size: B/A/C/D/E	Code: B2 Name: Quad-R Size: B/A/D/E/F/G	Code: B3 Name: Ellipse Size: B/A/C/R	Code: B4 Name: Football Size: A/B	Code: B5 Name: Key Hole Size: A/B/C

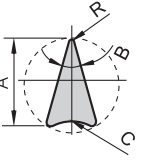
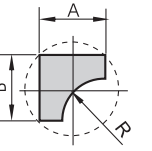
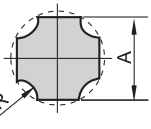
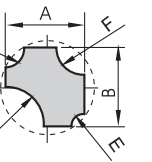
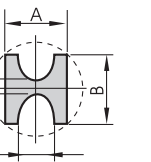
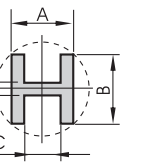
SPECIAL SHAPE	Special shape follows the attached drawing
	CODE: FT

SAME STATION TOOLING, SAME GROUP SHAPE, SAME PRICE!

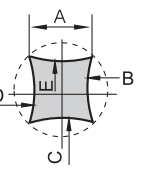
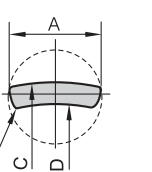
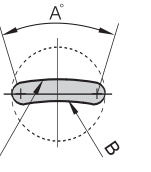
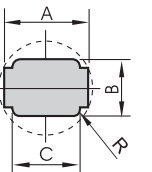
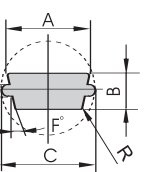
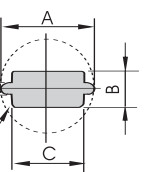
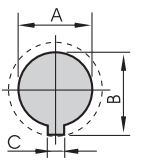
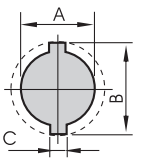
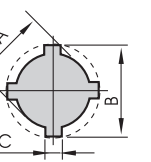
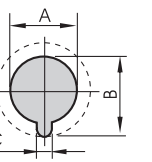
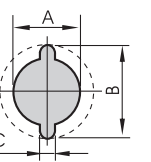
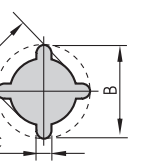
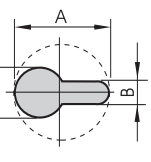
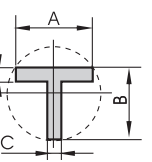
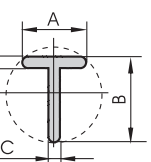
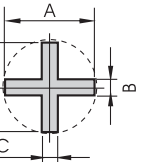
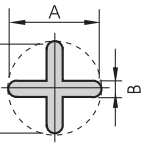
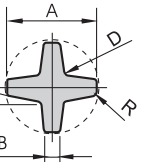
GROUP C

					
Code: C0 Name: Key Way Size: C/B/A	Code: C1 Name: Double Key Way Size: C/B/A	Code: C2 Name: Quad Key Way Size: C/B/A	Code: C3 Name: Key Way Size: C/B/A	Code: C4 Name: Key Way Size: C/B/A	Code: C5 Name: Key Way Size: C/B/A
					
Code: C6 Name: Key Way Size: C/B/A/D	Code: C7 Name: Micro-joint Size: B/A				

GROUP D

					
Code: D0 Name: Triangle w/R Size: A/B/C/R	Code: D1 Name: One way radius Size: B/A/R	Code: D2 Name: Four way radius Size: A/R	Code: D3 Name: Four way radius Size: A/B/C/D/E/F	Code: D4 Name: H w/radius Size: D/C/B/A	Code: D5 Name: H shape Size: D/C/B/A

GROUP E F

					
Code: E0 Name: Four radius Size: A/B/C/D/E	Code: E1 Name: Banana Size: A/C/D/R	Code: E2 Name: Banana Size: B/C/A	Code: E3 Name: Connector Size: D/B/C/A/R	Code: E4 Name: Connector Size: D/B/A/C/F/R	Code: E5 Name: Connector Size: D/B/C/A/R
					
Code: E6 Name: Key Hole Size: C/A/B	Code: E7 Name: Key Hole Size: C/A/B	Code: E8 Name: Key Hole Size: C/A/B	Code: F0 Name: Key Hole Size: C/A/B	Code: F1 Name: Key Hole Size: C/A/B	Code: F2 Name: Key Hole Size: C/A/B
					
Code: F3 Name: Key Hole Size: B/C/A	Code: F4 Name: T shape Size: D/C/B/A	Code: F5 Name: T shape Size: D/C/A/B	Code: F6 Name: Cross Size: C/B/D/A	Code: F7 Name: Cross Size: B/A/D	Code: F8 Name: Cross Size: B/A/C/D/R

MACHINE GROUPS

A	B	C	D	E	
CN 700	CN 901E	CN 1200S	TRUMATIC	SUNIMA T400	
CN 900	CN 902	CN 1200A	20	TRUMATIC	TRUMATIC
CN 701	CS 75	CS 15	20A	150K	202K
CN 901	CS 75.2	CS 20	202M	151K	225K
		CS 20 A		152K	235K
		MP25		180K	300K
		MP25D		180.2K	300LK
				180KD	300PK
				180LK	400K
				180.2LK	

F	G	H	I	S
150W	TRUMATIC	TRUMATIC	TRUMATIC	MINIMATIC
152W	20AW	500R	2000R	100
180W	202W	200R	2010R	TRUMATIC
180.2W	300W	190R	2020R	120R
180R	300LW	600L	3000-1300R	160R
180LW	300PW		3000-1600R	
180.2LW	300TOP		5000R	
ELX/SWIFT	400W		6000R	
185			1000R	
240				
240R				
250				
260R				



Chuck



Insert



Punch



Die



Punch Blade
Die Blade



Alignment ring



Stripper



RP SERIES

RECIPIENT:	SENDER:
COMPANY:	END USER:
DEPT.:	TELEPHONE:
TELEPHONE:	FAX No.:
FAX No.:	PAGES:
SUBJECT:	DATE:

Trumpf Tool		<input type="checkbox"/> Sta. style <input type="checkbox"/> Long style <input type="checkbox"/> RP series <input type="checkbox"/> Heavy duty <input type="checkbox"/> Multi-tool						
No.	Station	Description	Size	Shape	Amount	Sheetmetal	Thickness	Remark



WeChat of KETEC PRECISION TOOLING

More about KETEC PRECISION TOOLING, please enter

[Http://www.ketecool.com](http://www.ketecool.com)

KETEC has certified by the ISO 9001:2008 quality management system

KETEC[®]

Ketec Precision Tooling Co.,Ltd.

Add: No.7,Lifeng Road., Mingzhu Industrial Park,Conghua, Guangzhou, China

P.O.Box: 510931

Tel: 0086 20 37965500 Fax: 0086 20 37965133

E-mail:international@ketecool.com

[Http://www.ketecool.com](http://www.ketecool.com)